

SPARK SGN LED



INSTALLATION AND MAINTENANCE MANUAL

MOUNTING TYPE

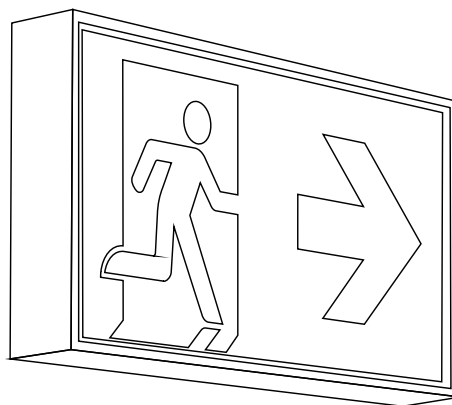
W1 – wall mounting.

SYSTEM VARIANT

- CB** – luminaire supplied from HVCBS (230V AC/216V DC), without address module.
- CBAM** – luminaire supplied from the HVCBS (230V AC/216V DC), with built-in address module and operating mode selection.
- LV** – luminaire supplied with 24V DC.
- LVAM** – luminaire supplied with 24V DC from the LVDBS system, with built-in address module and operating mode selection.

SIZE OF EXIT SIGN

- 30x15** – ISO 7010 compliant exit sign with the dimensions of 30x15 cm and a viewing distance of 30 meters.
- 40x20** – ISO 7010 compliant exit sign with the dimensions of 40x20 cm and a viewing distance of 40 meters.



TECHNICAL DATA

PARAMETER	VALUE	
Supply voltage	CB/CBAM	230V AC 50/60Hz, 170 – 275VDC
	CB	230V AC 50/60Hz, 80 – 275V DC
	LV/LVAM	15 – 32V DC
Protection class	CB/CBAM	I
	LV/LVAM	III
Ingress protection	IP40	
Light source type	LED strip ¹	
Light source temperature	5000K	
Colour rendering index	70	
Light source supply power	2W	
Sign visibility	30x15	30m
	40x20	40m
Light source lifespan	> 50 000h	
Supply cable cross-section area	0,5 – 2,5mm ²	
Ambient temperature	CB/CBAM	-10 – +55°C
	LV/LVAM	-25 – +60°C
Suitable for through wiring	YES	

¹⁾ Non-exchangeable but serviceable light source.

SAFETY

- During the installation and usage of emergency luminaires, follow the national safety rules as well as generally accepted technical rules.
- During usage of emergency luminaires keep a register of inspection reports.
- Luminaire installation or maintenance has to be preceded by turning off the power supply.
- Ensure that all foreign bodies are removed before the luminaire power is switched on.
- The luminaire is to be used undamaged and in accordance with specifications.

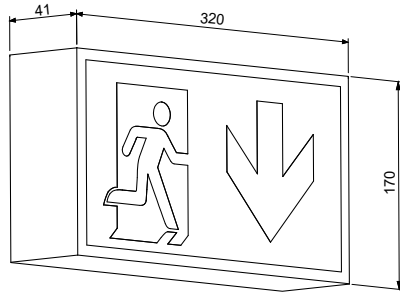
The above-mentioned luminaire is a fire protection equipment and therefore falls within relevant standards and regulations.



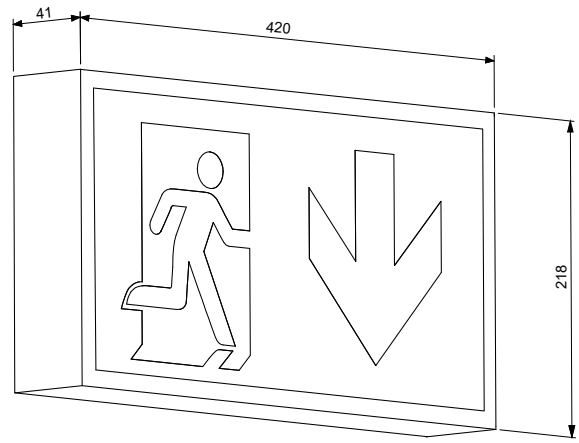
NOT OBEYING THE SAFETY INSTRUCTIONS AND RECOMMENDATIONS CAN CAUSE LIFE THREAT OR EVEN DEATH
NOT OBEYING THIS INSTRUCTION MANUAL CAN RESULT IN LUMINAIRE DAMAGE AND LOSS OF WARRANTY

LUMINAIRE AND SIGN DIMENSIONS (in mm)

30x15

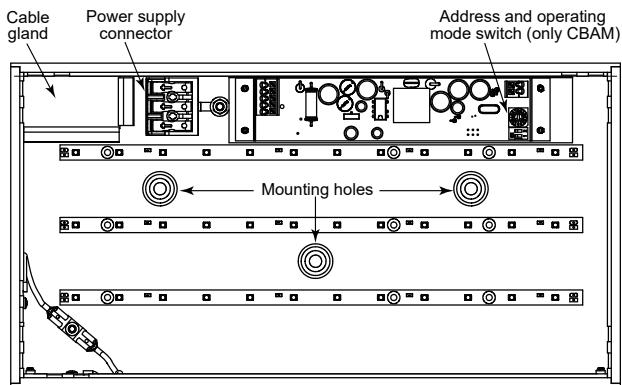


40x20

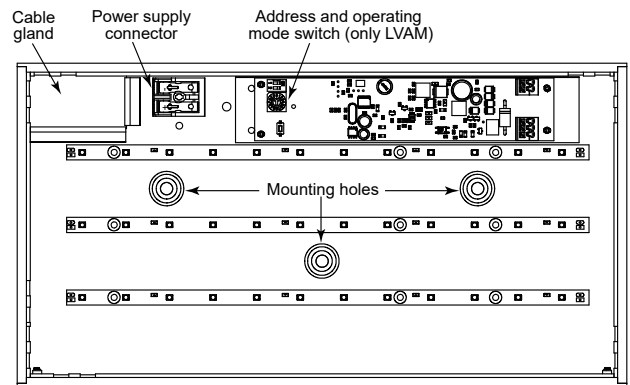


LUMINAIRE CONSTRUCTION

CB/CBAM

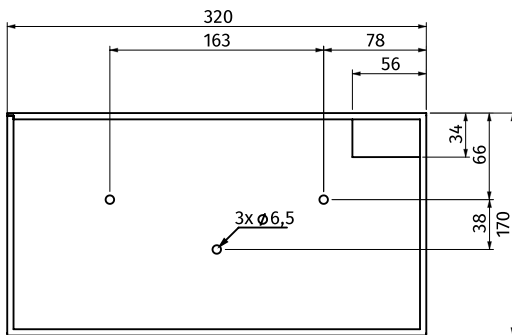


LV/LVAM

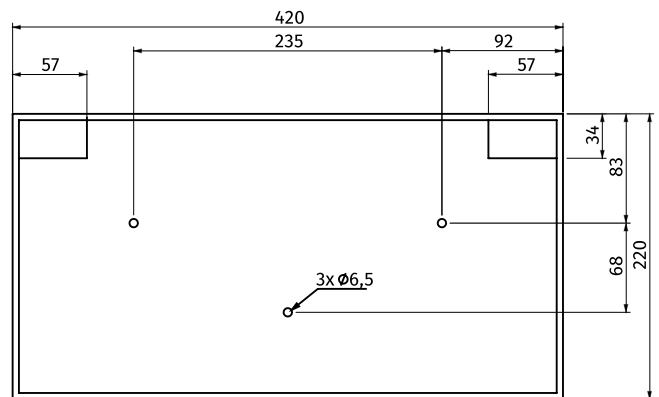


MOUNTING DIMENSIONS (in mm)

30x15

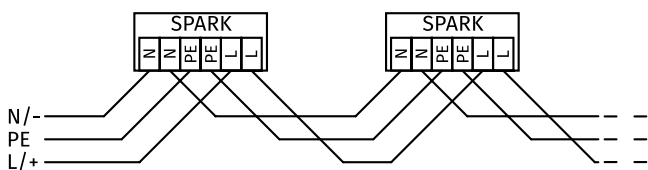


40x20

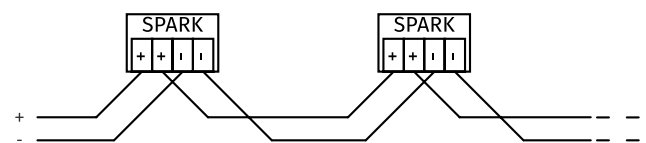


WIRING DIAGRAM

CB/CBAM



LV/LVAM

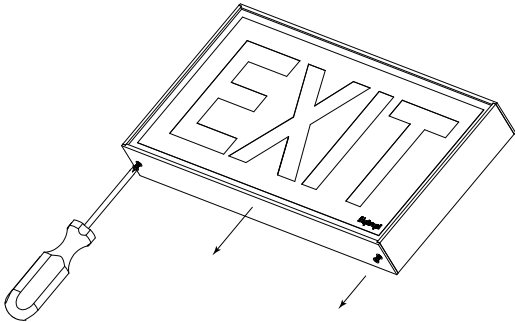


WARNING
!!!

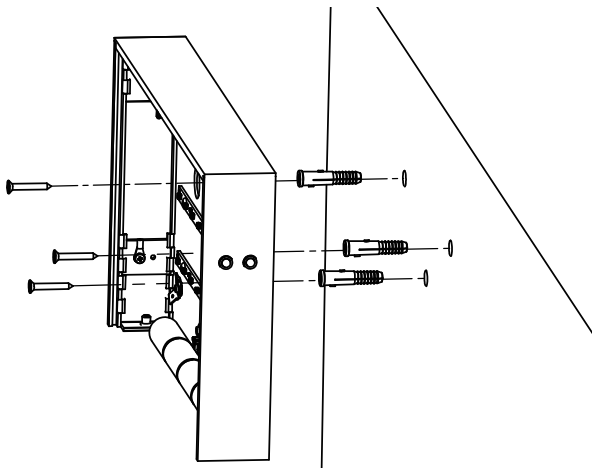
Before any installation or maintenance operation is performed on the luminaire the power supply should be disconnected. All installation and maintenance procedures can be performed only by qualified, properly trained and if appropriate, certified staff.

INSTALLATION

1. Unpack the luminaire after transport and verify its condition.
2. Drill holes in wall according to luminaire mounting hole spacing, so that power cables can be pushed freely into the luminaire through the cable glands. Use dowels or screws, appropriate for the material luminaire is being mounted to.
3. Unscrew the two M3 screws fixing the bottom part of luminaire and remove it, at the same time, remove the plate with pictogram.

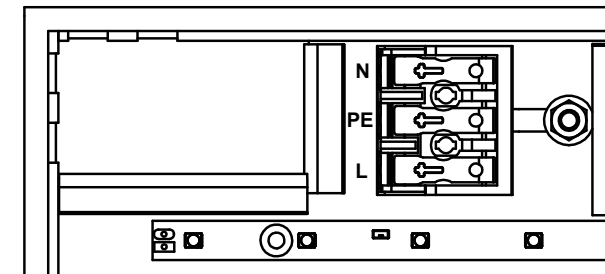


4. Carry out the power cable through the cable gland in luminaire. Screw the luminaire to the wall using previously prepared mounting hole.

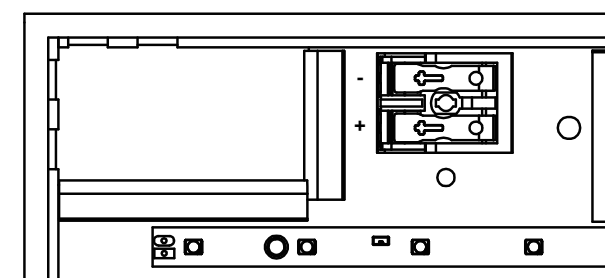


5. Connect the power supply cables from the HVCBS/LVDBS system according to the appropriate wiring diagrams, strip 7 – 8mm of wire copper insulation. Pay special attention to the luminaire supply voltage!

CB/CBAM



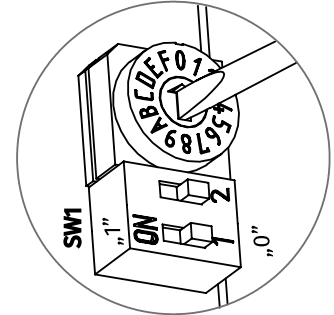
LV/LVAM



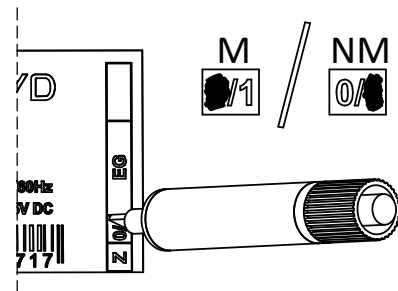
6. In case of luminaires with built-in address module (CBAM/LVAM) set luminaire address using the rotary switch SW2 and slider switch SW1. Use the switch SW1 to select the operating mode.

Switch position 0 – non-maintained operating mode (NM),
switch position 1 – maintained operating mode (M).

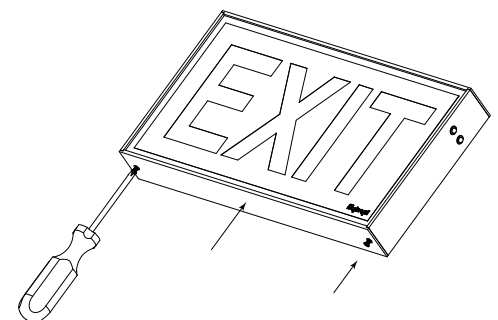
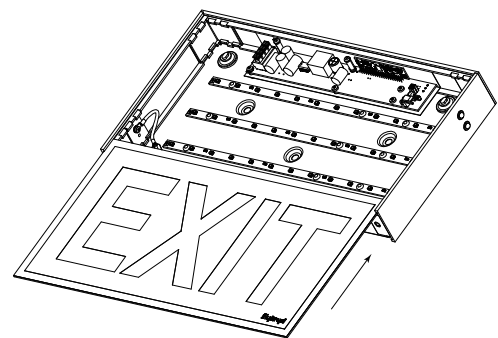
SW1-2	SW2	Adres	SW1-2	SW2	Adres
0	1	1	1	1	11
0	2	2	1	2	12
0	3	3	1	3	13
0	4	4	1	4	14
0	5	5	1	5	15
0	6	6	1	6	16
0	7	7	1	7	17
0	8	8	1	8	18
0	9	9	1	9	19
0	A	10	1	A	20



7. Mark the operating mode on the luminaire label. Mark 0 for the maintained mode and 1 for the non-maintained mode.



8. Insert the plate with pictogram. Put the bottom part of luminaire and using two M3 screws screw the two luminaire parts together.



COMMISSIONING

After all installation procedures are finished, luminaire operation needs to be verified. Follow the instructions below:

1. Switch the luminaire power supply on the HVCBS (CB, CBAM) or LVDBS (LV, LVAM) system.
2. For luminaires without built-in address module:
 - a. Leave luminaire operating and verify light source operation – should be operating.
 - b. Turn off luminaire power supply.
3. For luminaires with built-in address module:
 - a. Configure the HVCBS/LVDBS system.
 - b. Configure HVCBS/LVDBS circuit as maintained and if required, switch between maintained and non-maintained luminaire operating mode (see luminaire control on previous pages).
 - c. Run the functional test on HVCBS/LVDBS system.
 - d. Verify luminaire operation. The light source should operate properly.
 - e. Verify if the HVCBS/LVDBS system reports proper luminaire operation.

MAINTENANCE

Luminaire should be cleaned with a damp cloth according to building maintenance plan.

STORAGE

Luminaire should be stored no longer than 12 months from the date of purchase, in a dry place with an ambient temperature range of -10 – +30°C.

WARRANTY

Warranty is valid and enforceable only when manufacturer's recommendations are preserved, and the installation and usage are proper. Warranty is granted for a period of 12 months from the date of sale, unless the luminaire has been sold under different contract conditions. The warranty is excluded in case of misuse, unsuitable use, wrong connection or mechanical defects of the luminaire caused by the client.